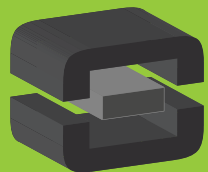




From Off-The-Shelf to Market-Ready© New Age Enclosures is your Single Source Solution.  
Let us quote modifying our Stock Enclosures to meet your end-use.  
visit [newageenclosures.com/services](http://newageenclosures.com/services) or call 855-4NA-ENCL today.

**CNC CUTOUTS**  
**PART DECORATING**  
**CUSTOM COLOR AND MATERIAL**  
**RF/EMI SHIELDING**  
**CUSTOM TOOL INSERTS**  
**CUSTOM ENCLOSURES AND DESIGN**



**NEW AGE**  
**ENCLOSURES**

DEVELOP THE FUTURE



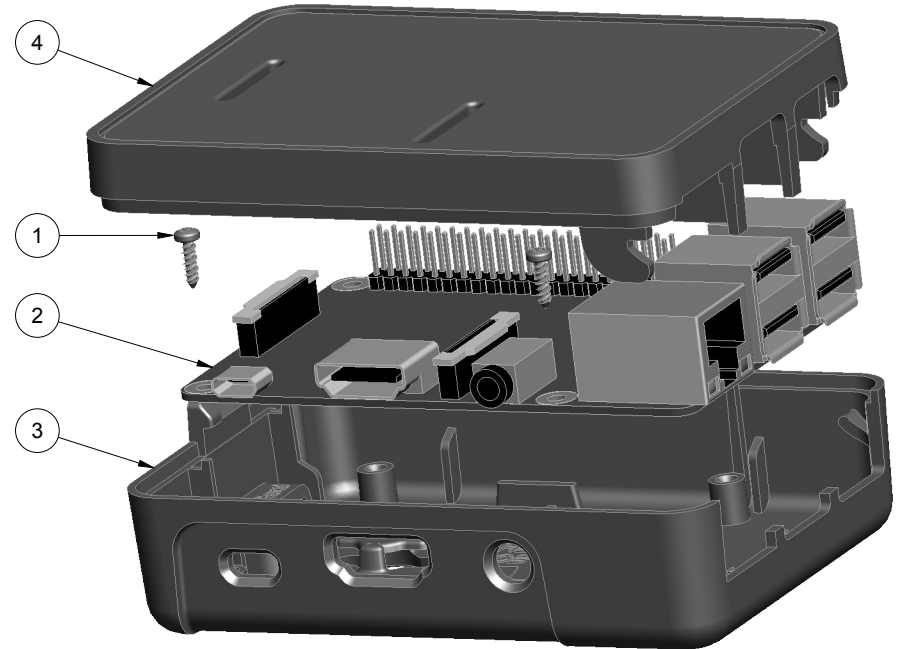
NOTES: UNLESS OTHERWISE SPECIFIED

1. CORNERS DRAWN SHARP TO BE R.005 MAXIMUM.
2. EXTERIOR SURFACE TEXTURE TO BE LIGHT EDM FINISH. EQUIVALENT TO MT-11020. TEXTURE ON ENCLOSURE WILL VARY FROM TIME TO TIME AS THE TOOL WEARS AND IT BECOMES NECESSARY TO REAPPLY.
3. INTERIOR SURFACE TEXTURE TO BE: B3
4. ALL INSIDE RADII .010R. UNLESS OTHERWISE SPECIFIED.
5. ALL EXTERNAL DIMENSIONS AFFECTED BY THE DRAFT APPLY AT THE LARGE END OF THE FEATURE, AND ALL INTERNAL FEATURES AFFECTED BY THE DRAFT APPLY AT THE SMALL END OF THE FEATURE UNLESS OTHERWISE SPECIFIED.
6. ONE DEGREE DRAFT IN THE DIRECTION OF PULL IS PERMISSIBLE UNLESS OTHERWISE SPECIFIED.
7. MATERIAL / COLOR: SEE OPTIONS TABLE FOR STANDARD MATERIAL AND COLOR OPTIONS. CUSTOM MATERIALS AND COLORS ARE AVAILABLE UPON REQUEST FOR QUOTE. ALTERNATE RESINS HAVE DIFFERENT SHRINK RATES, AND WILL EFFECT DIMENSIONS.
8. PCB SIZES ARE RECOMMENDATIONS ONLY. FINAL SIZES AND VERIFICATION OF ITS FIT ARE THE SOLE RESPONSIBILITY OF EACH CUSTOMER.
9. THIS DRAWING IS BASED ON A SOLID MODEL, AND IS FURTHER DEFINED BY THE SOLID MODEL FILE.
10. ALLOWABLE FLASH: 0.010 MAX.
11. ALL EJECTOR PIN MARKS TO BE WITHIN 0.010" OF FLUSH, PROTRUDING OR BELOW FLUSH.
12. TRIM GATE WITHIN 0.030" OF FLUSH.
13. REFERENCE THE PRODUCT SPEC AND SERVICE GUIDE.



SCALE 0.900

R E V I S I O N					
REV.	DRAWN BY	ECO No	DESCRIPTION	DATE	APPROVE
A	M BOYER	DR1622	PRELIMINARY RELEASE	2017-Oct-11	D.C.
B	M BOYER		REVISE SHAPE AND SIZE	2017-Nov-15	D.C.
C	M BOYER		UPDATE MATERIAL TREE AND TEXTURE INFO	2018-Feb-16	D.C.
D	R CRUZ		UPDATE NOTES, UPDATE OPTIONS TABLE	2018-Apr-23	D.C.
1.0	M BOYER	00519	UPDATE TO AS-BUILT AND REVISE NOTES	2019-Feb-07	D.C.
2.0	R CRUZ	02719	UPDATE TO AS-BUILT FOR NEW DIMENSIONS	2019-Oct-01	



SCALE 0.900

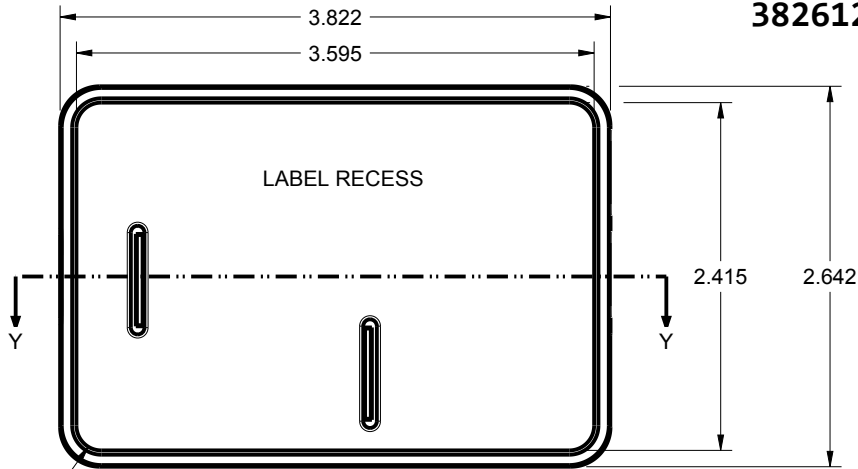
PXX-382612 OPTIONS	
MATERIAL, COLOR	PREFIX
ABS, WHITE	P1A-
ABS, BLACK	P3A-
POLYCARBONATE, CLEAR	P0P-
POLYCARBONATE, SEMI-TRANSLUCENT DARK RED	P2P-
POLYCARBONATE, SEMI-TRANSLUCENT SMOKE GRAY	P4P-
POLYCARBONATE, SEMI-TRANSLUCENT BLUE	P7P-

<b>THIRD ANGLE PROJECTION</b>  DO NOT SCALE DRAWING	TOLERANCES: UNLESS OTHERWISE SPECIFIED DIMENSIONS ARE IN U.S. INCHES. X.XX = .015 X.XXXX = .001 X.XXX = .010 X.X° = 1°		<b>NEW AGE ENCLOSURES</b> 2240 South Thornburg Street Santa Maria, CA. 93455 ph. (805) 595-1310 fax (805) 595-1024 <a href="http://www.newageenclosures.com">www.newageenclosures.com</a>	
	Customer's Part No: 382612			
APPROVAL CHECK ENG. SCALE	BY DATE AS NOTED	<b>RASPBERRY Pi 3 ENCLOSURE</b> <b>PXX-382612-XXX</b>		SHEET 1 OF 4
DRAWN BY M BOYER	DATE 2017-Oct-11	SIZE A	DRAWING NAME 382612_R2_0	REV.DOC 2.0

ITEM	FILE NAME	DESCRIPTION	MATERIAL	COLOR	QTY.
4	382612_COVER	382612 COVER - STANDARD	SEE TREE	SEE TREE	1
3	382612_BASE	382612 BASE - STANDARD	SEE TREE	SEE TREE	1
2	382612_PCB_RASPBERRY_PI3	RASPBERRY Pi 3 MODEL B	.050" THICK	CUSTOMER SUPPLIED	1
1	SCREW_HILO-N02X312	#2 HiLo x .312" SCREW	ZINC PLATED	5/16" LONG	4

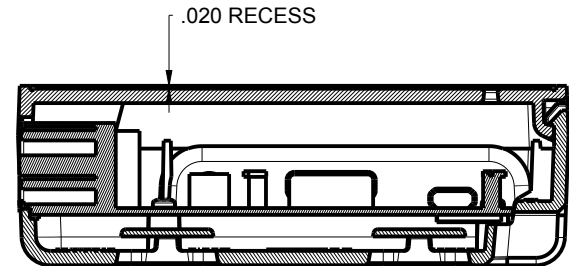
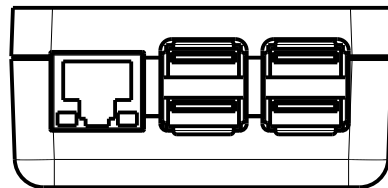
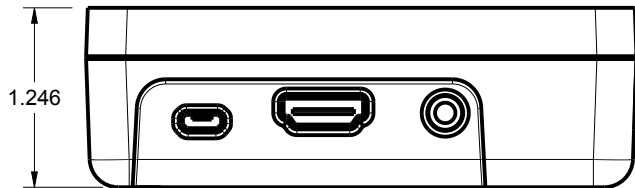
BILL OF MATERIALS

# 382612 ASSEMBLY

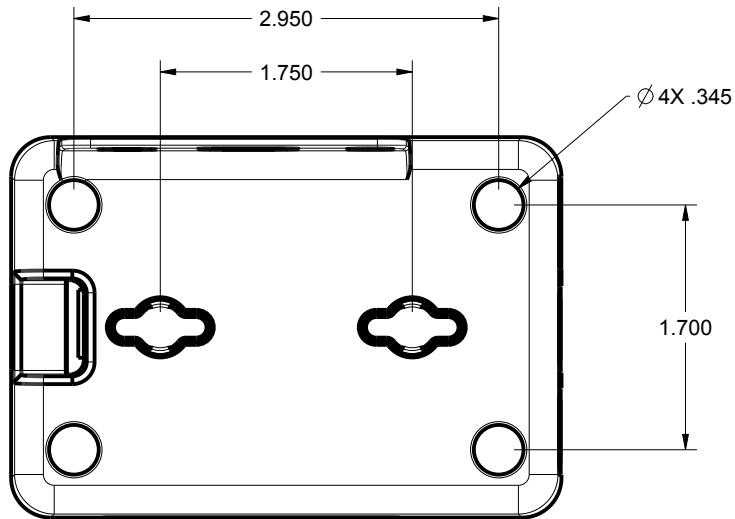


4X R.175

SCALE 0.750



SECTION Y-Y



TOLERANCES: UNLESS OTHERWISE SPECIFIED  
DIMENSIONS ARE IN U.S. INCHES.  
X.XX = .015 X.XXXX = .001  
X.XXX = .010 X.X° = 1°

NEW AGE ENCLOSURES

Customer's Part No: 382612

APPROVAL	BY	DATE
CHECK		
ENG.		
SCALE	AS NOTED	

DRAWN BY  
M BOYER 2017-Oct-11

**NEW AGE ENCLOSURES**

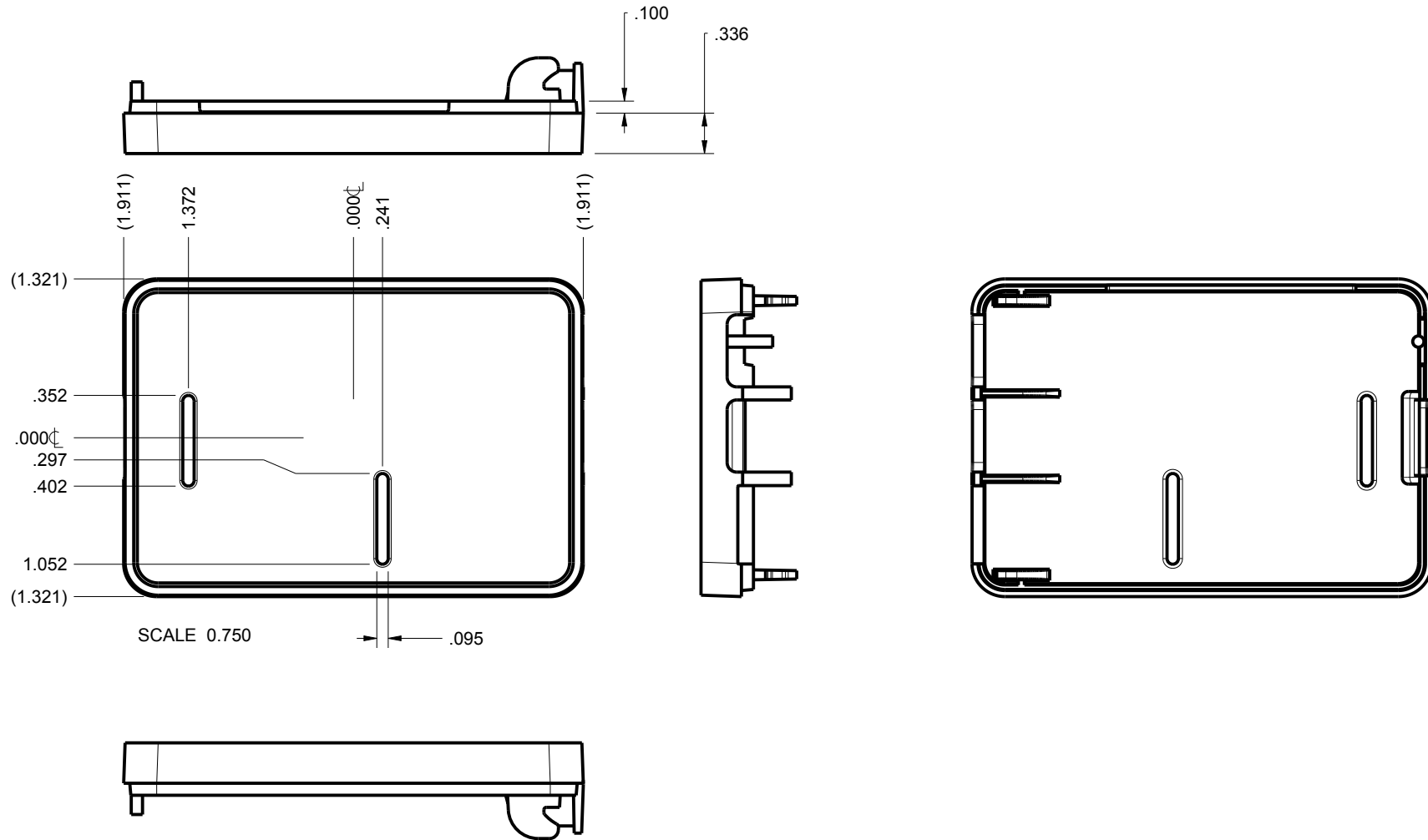
2240 South Thornburg Street Santa Maria, CA. 93455  
ph. (805) 595-1310 fax (805) 595-1024  
www.newageenclosures.com

RASPBERRY Pi 3 ENCLOSURE  
PXX-382612-XXX

SIZE A DRAWING NAME 382612\_R2\_0

SHEET 2 OF 4 REV.DOC 2.0

# 382612 COVER



TOLERANCES: UNLESS OTHERWISE SPECIFIED  
DIMENSIONS ARE IN U.S. INCHES.  
X.XX = .015 X.XXXX = .001  
X.XXX = .010 X.X° = 1°

NEW AGE ENCLOSURES

Customer's Part No: 382612

APPROVAL BY DATE

CHECK

ENG.

SCALE AS NOTED

DRAWN BY M BOYER 2017-Oct-11

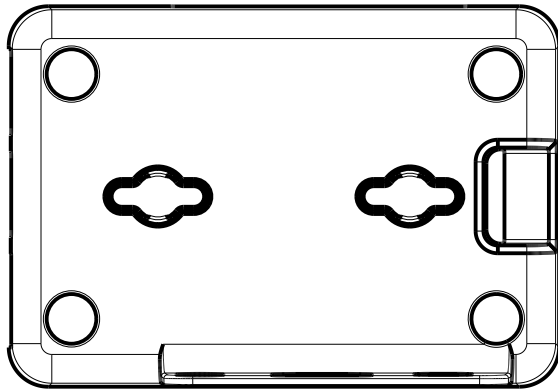
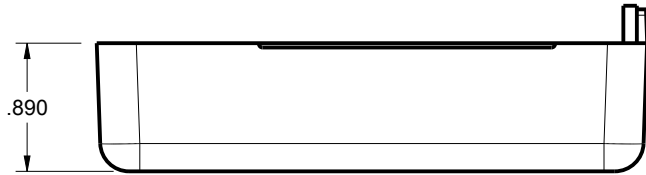
**NEW AGE ENCLOSURES**

2240 South Thornburg Street Santa Maria, CA. 93455  
ph. (805) 595-1310 fax (805) 595-1024  
www.newageenclosures.com

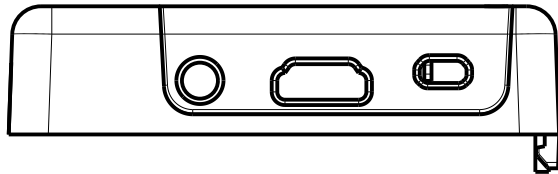
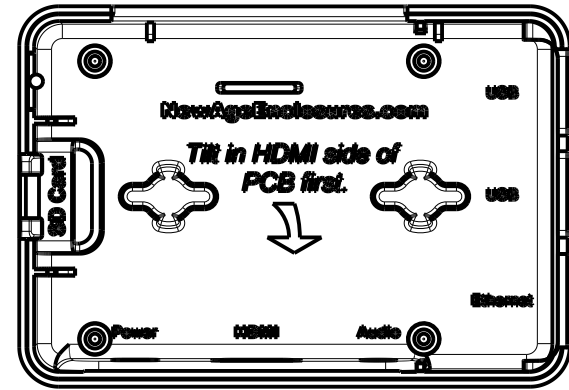
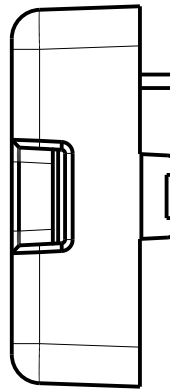
RASPBERRY Pi 3 ENCLOSURE  
PXX-382612-XXX

SIZE A DRAWING NAME 382612\_R2\_0 SHEET 3 OF 4 REV.DOC 2.0

# 382612 BASE



SCALE 0.750



TOLERANCES: UNLESS OTHERWISE SPECIFIED DIMENSIONS ARE IN U.S. INCHES. X.XX = .015 X.XXXX = .001 X.XXX = .010 X.X° = 1°		<b>NEW AGE ENCLOSURES</b> 2240 South Thornburg Street Santa Maria, CA. 93455 ph. (805) 595-1310 fax (805) 595-1024 <a href="http://www.newageenclosures.com">www.newageenclosures.com</a>	
NEW AGE ENCLOSURES Customer's Part No: 382612		<b>RASPBERRY Pi 3 ENCLOSURE</b> <b>PXX-382612-XXX</b>	
APPROVAL	BY	DATE	
CHECK			
ENG.			
SCALE	AS NOTED		
DRAWN BY		SIZE	DRAWING NAME
M BOYER	2017-Oct-11	A	382612_R2_0
		SHEET	REV.DOC
		4 OF 4	2.0